

F1

CONDENSADOR DE MOTOR MOTOR RUN CAPACITORS

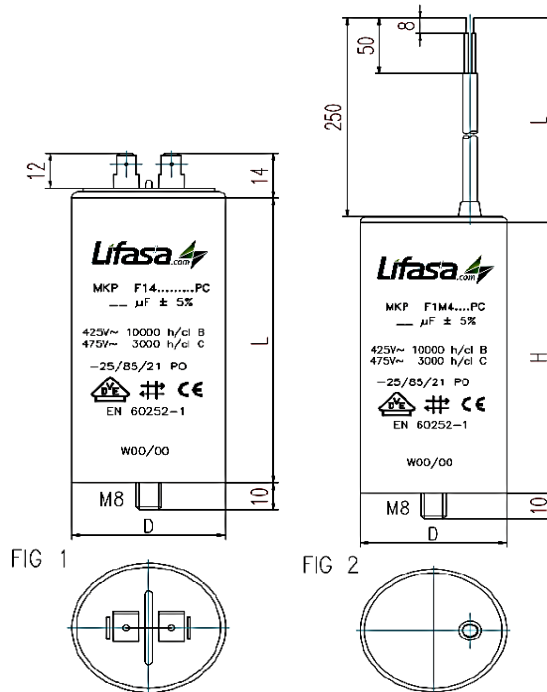
DESCRIPCIÓN / DESCRIPTION

Condensadores auto-regenerantes con dieléctrico de polipropileno metalizado sin impregnación y encapsulados con resina.

Self-healing capacitors with polypropylene film, vacuum metallized without impregnation, cast resin.

CARACTERÍSTICAS TÉCNICAS / TECHNICAL CHARACTERISTICS

- Tensión nominal / *Rated voltages* 400/450 Vac
- Frecuencia / *Frequency* 50/60 Hz
- Clase de utilización / *Class of service* Class B (400/425 V) - 10000 h
Class C (450/475 V) - 3000 h
- Dieléctrico / *Dielectric* Polipropileno / *Polypropylene*
- Resistencia aislamiento / *Insulation resistance.* >10.000MΩ•µF
- Tolerancia capacidad / *Capacitance tolerance.* ±5% (±10% C<4µF)
- Gama climática / *Temperature range* -25/85°C
- Normas / *Standards* VDE 560-8, IEC 60252-1,



CON FASTON DOBLE (FIG.1) Ref: F14...PC (6,35mm)
WITH DOUBLE FASTON (FIG.1)

CON CABLE MANGUERA (FIG.2) Ref: F1M4...PC (250mm)
WITH TWIN LEADS (FIG.2)

Referencia Part Number	Cn (µf)	Un (V)	Dimensiones Dimensions	Caja Box	Peso Weight (kg)	Precio Price (€)
F140010PC	1	400/450	30x56 mm	200	44	Consult
F140015PC	1,5	400/450	30x56 mm	200	43	Consult
F140020PC	2	400/450	30x56 mm	200	43	Consult
F140025PC	2,5	400/450	30x56 mm	200	42	Consult
F140030PC	3	400/450	30x56 mm	200	60	Consult
F140040PC	4	400/450	30x56 mm	200	60	Consult
F140050PC	5	400/450	30x56 mm	200	60	Consult
F140060PC	6	400/450	30x56 mm	200	72	Consult
F140070PC	7	400/450	30x56 mm	200	71	Consult
F140080PC	8	400/450	30x70 mm	125	69	Consult
F140100PC	10	400/450	30x70 mm	125	67	Consult
F140120PC	12	400/450	35x70 mm	100	90	Consult
F140125PC	12,5	400/450	35x70 mm	100	89	Consult
F140140PC	14	400/450	35x70 mm	100	87	Consult
F140150PC	15	400/450	35x70 mm	100	86	Consult
F140160PC	16	400/450	35x70 mm	100	113	Consult
F140180PC	18	400/450	40x70 mm	100	115	Consult
F140200PC	20	400/450	40x70 mm	100	113	Consult
F140250PC	25	400/450	40x92 mm	50	146	Consult
F140300PC	30	400/450	40x92 mm	50	140	Consult
F140350PC	35	400/450	45x92 mm	50	223	Consult
F140400PC	40	400/450	45x92 mm	50	215	Consult
F140450PC	45	400/450	50x92 mm	25	274	Consult
F140500PC	50	400/450	45x117 mm	25	266	Consult
F140550PC	55	400/450	45x117 mm	25	258	Consult
F140600PC	60	400/500	50x117 mm	25	321	Consult
F140650PC	65	400/500	50x117 mm	25	313	Consult
F140700PC	70	400/500	50x117 mm	25	306	Consult
F140750PC	75	400/500	50x117 mm	25	368	Consult
F140800PC	80	400/500	55x120 mm	25	368	Consult
F140900PC	90	400/500	55x120 mm	25	368	Consult
F140999PC	100	400/500	60x120 mm	20	368	Consult

Referencia Part Number	Cn (µf)	Un (V)	Dimensiones Dimensions	Caja Box	Peso Weight (kg)	Precio Price (€)
F1M40010PC	1	400/450	30x56 mm	125	44	Consult
F1M40015PC	1,5	400/450	30x56 mm	125	43	Consult
F1M40020PC	2	400/450	30x56 mm	125	43	Consult
F1M40025PC	2,5	400/450	30x56 mm	125	42	Consult
F1M40030PC	3	400/450	30x56 mm	125	60	Consult
F1M40040PC	4	400/450	30x56 mm	125	60	Consult
F1M40050PC	5	400/450	30x56 mm	125	60	Consult
F1M40060PC	6	400/450	30x56 mm	125	72	Consult
F1M40070PC	7	400/450	30x56 mm	125	71	Consult
F1M40080PC	8	400/450	30x70 mm	100	69	Consult
F1M40100PC	10	400/450	30x70 mm	100	67	Consult
F1M40120PC	12	400/450	35x70 mm	50	90	Consult
F1M40125PC	12,5	400/450	35x70 mm	50	89	Consult
F1M40140PC	14	400/450	35x70 mm	50	87	Consult
F1M40150PC	15	400/450	35x70 mm	50	86	Consult
F1M40160PC	16	400/450	35x70 mm	50	113	Consult
F1M40180PC	18	400/450	40x70 mm	50	115	Consult
F1M40200PC	20	400/450	40x70 mm	50	113	Consult
F1M40250PC	25	400/450	40x92 mm	50	146	Consult
F1M40300PC	30	400/450	40x92 mm	50	140	Consult
F1M40350PC	35	400/450	45x92 mm	25	223	Consult
F1M40400PC	40	400/450	45x92 mm	25	215	Consult
F1M40450PC	45	400/450	50x92 mm	25	274	Consult
F1M40500PC	50	400/450	45x117 mm	25	266	Consult
F1M40550PC	55	400/450	45x117 mm	25	258	Consult
F1M40600PC	60	400/450	50x117 mm	25	306	Consult
F1M40650PC	65	400/450	50x117 mm	25	321	Consult
F1M40700PC	70	400/450	50x117 mm	25	306	Consult
F1M40800PC	80	400/450	55x120 mm	25	368	Consult