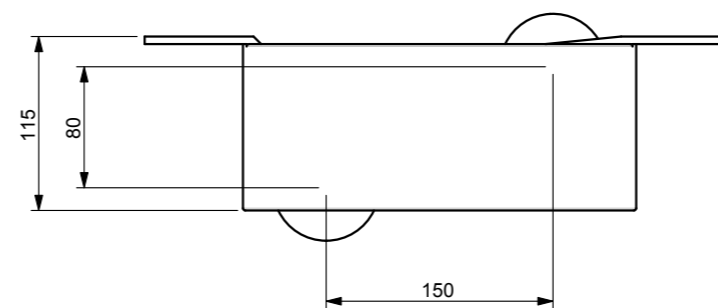
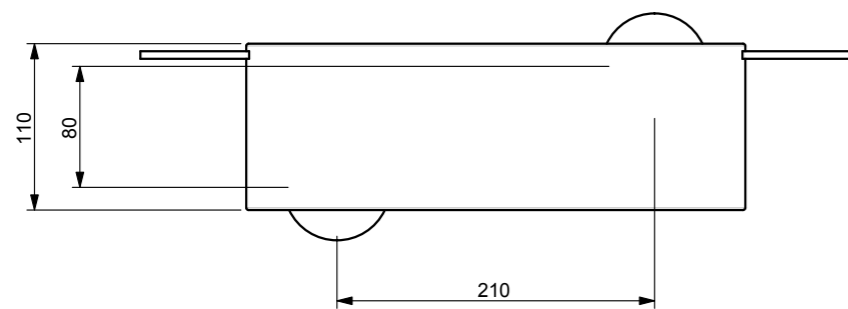
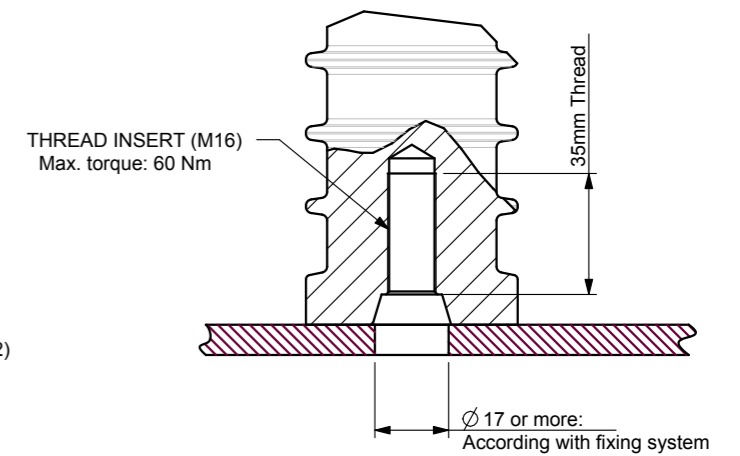
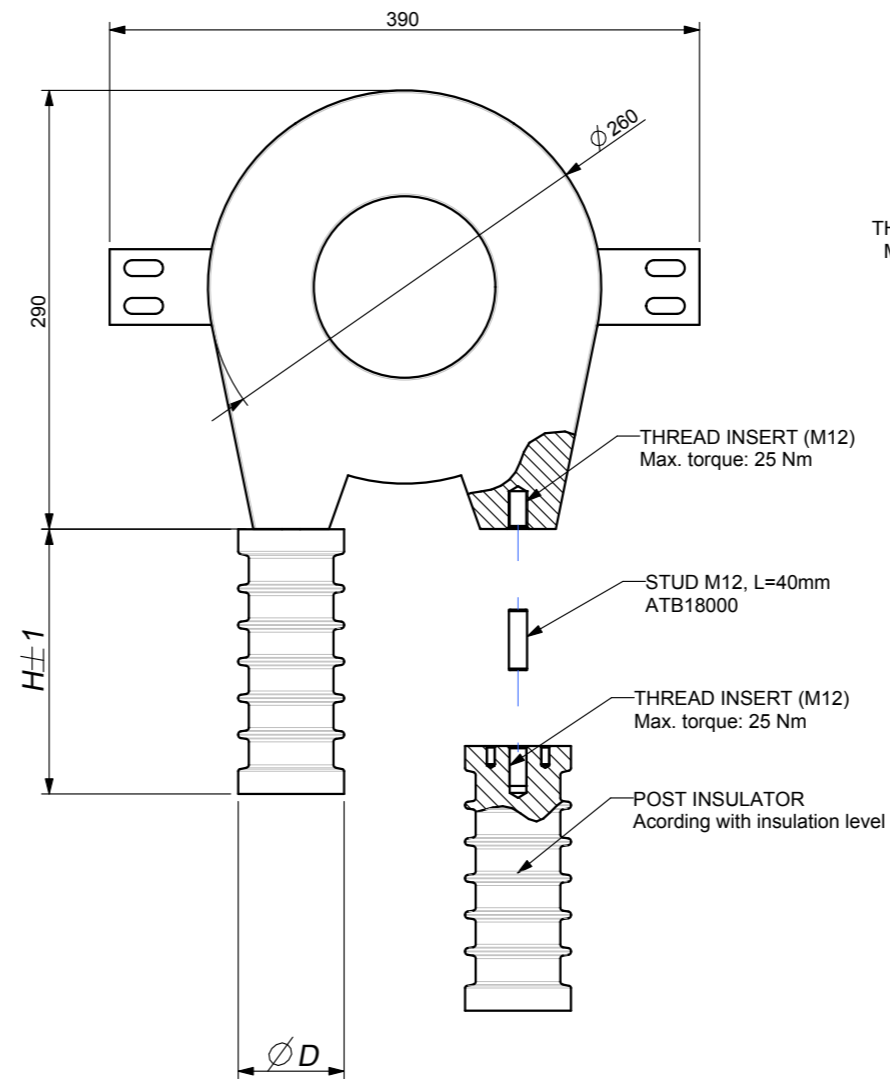
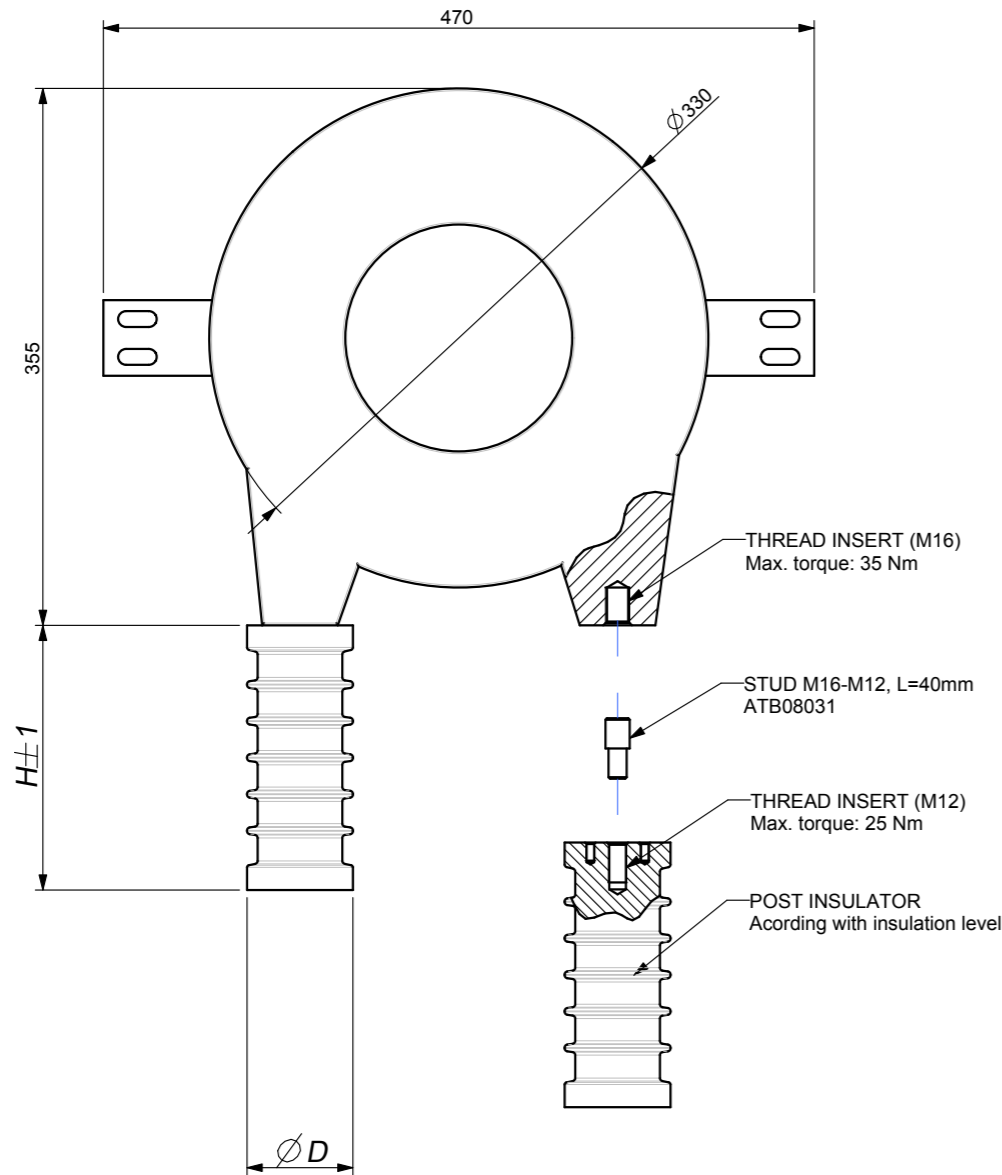


REACTOR Type: ICR-330

REACTOR Type: ICR-260

Fixing assembly detail (to structure/earth)
SCALE 1/2.5



Insulation level (kV)	H (mm)	ϕD (mm)	Post insulator Code
up to 17,5	175	70	ATB11019
up to 24	225	70	ATB11036
up to 36	325	80	ATB11047

MOD.	DESCRIPTION			APPROVED	DATE
DRAWN	X.Casademunt	24-Feb-14		MATERIAL: -	
APPROVED	X.Casademunt	24-Feb-14			
SCALE 1:5		NAME	DATE	DIM UNITS mm	FINISHED: -
VOLUMEN mm ³	REV: 00	ASSEMBLY REACTOR+POST INSULATOR			AR20140311-I/M1
WEIGHT Kg	DIN-A3	Over 12kV up to 36kV - INDOOR			IT REPLACES TO --
					IT REPLACES FOR