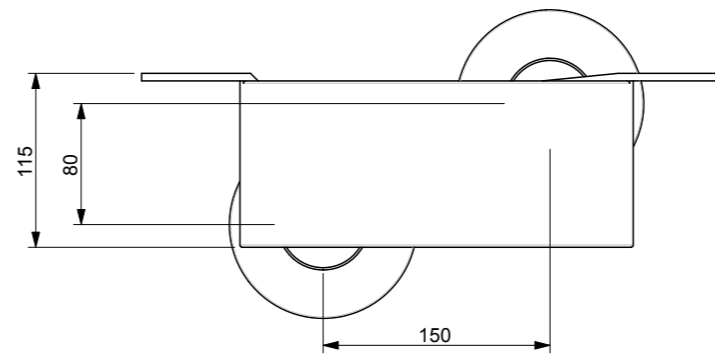
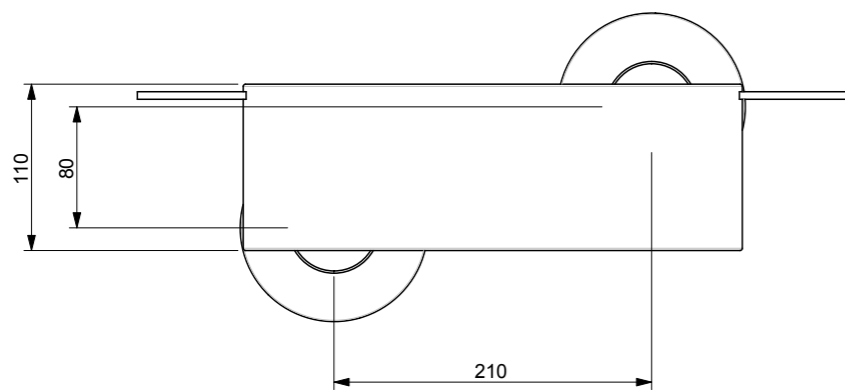
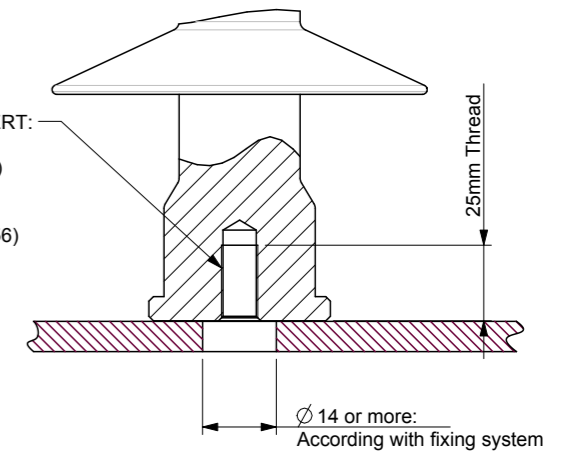
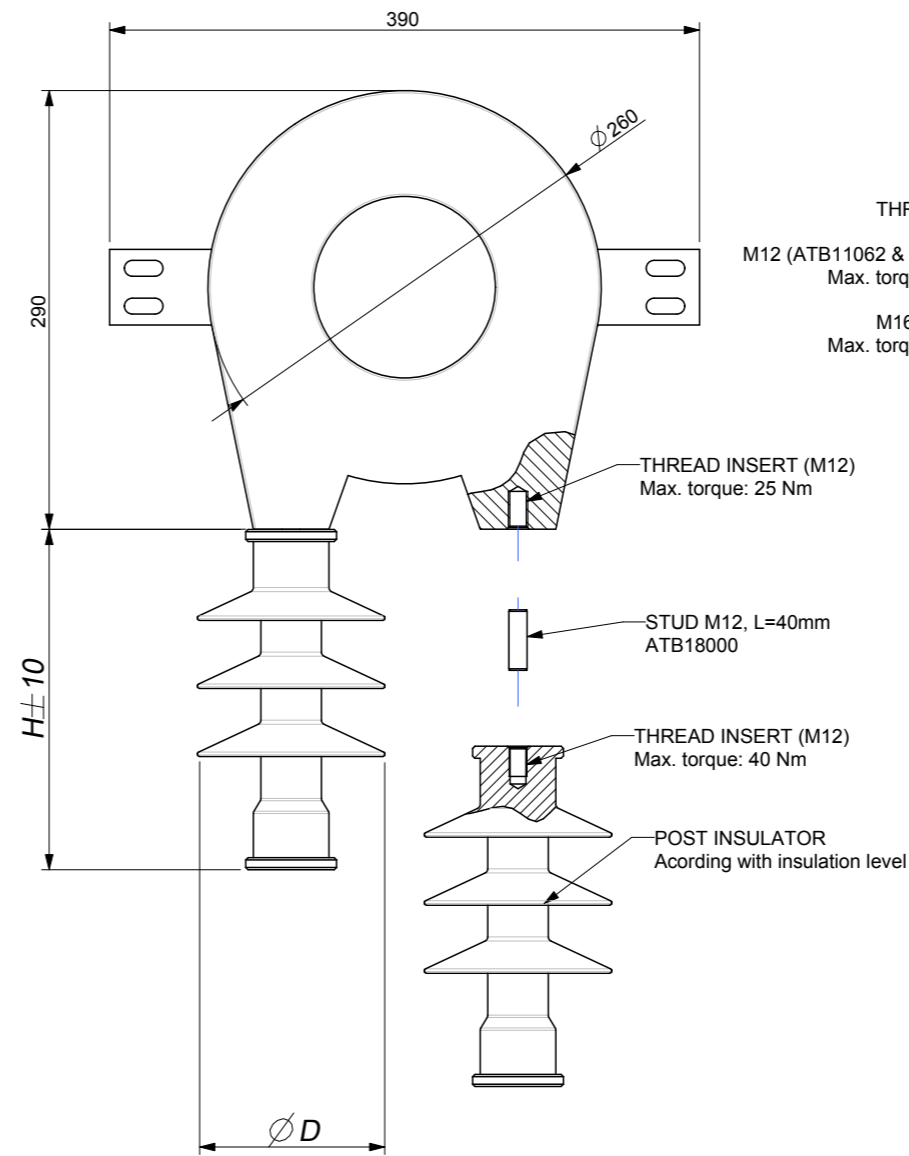
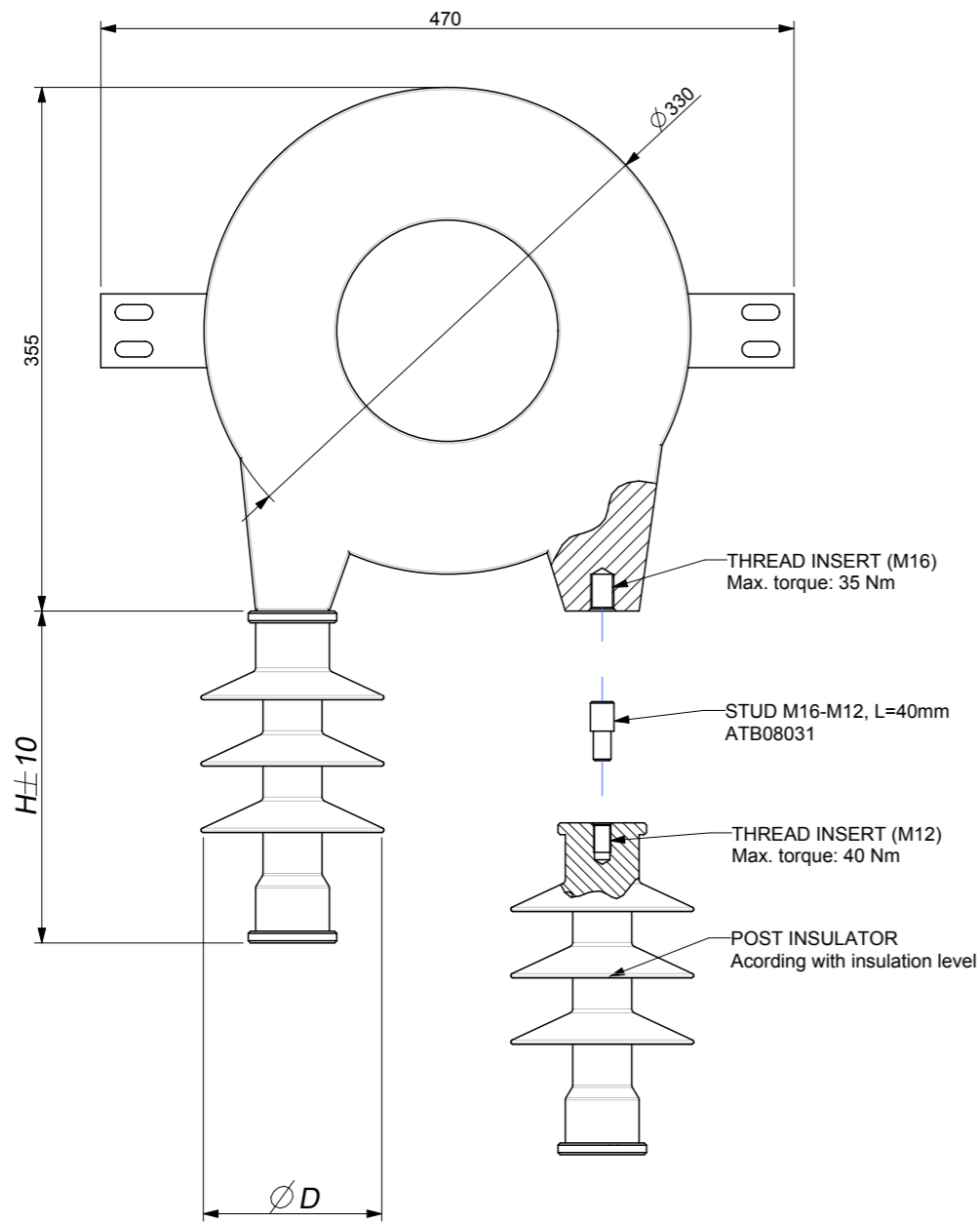


REACTOR Type: ICR-330

REACTOR Type: ICR-260

Fixing assembly detail (to structure/earth)
SCALE 1/2.5



Insulation level (kV)	H (mm)	ϕD (mm)	Post insulator Code
up to 17,5	175	126	ATB11062
up to 24	225	125	ATB11063
up to 36	325	135	ATB11056

01	Change post insulator type			XC	20.02.2018
MOD.	DESCRIPTION			APPROVED	DATE
DRAWN	X.Casademunt	24-Feb-14		MATERIAL:	
APPROVED	X.Casademunt	24-Feb-14		FINISHED:	
SCALE 1:5	NAME	DATE	DIM UNITS mm		
VOLUMEN mm ³	REV: 01	ASSEMBLY REACTOR+POST INSULATOR			0H180024
WEIGHT Kg	DIN-A3	Over 12kV up to 36kV - OUTDOOR			IT REPLACES TO
				IT REPLACES FOR	AR20140311-O/M1